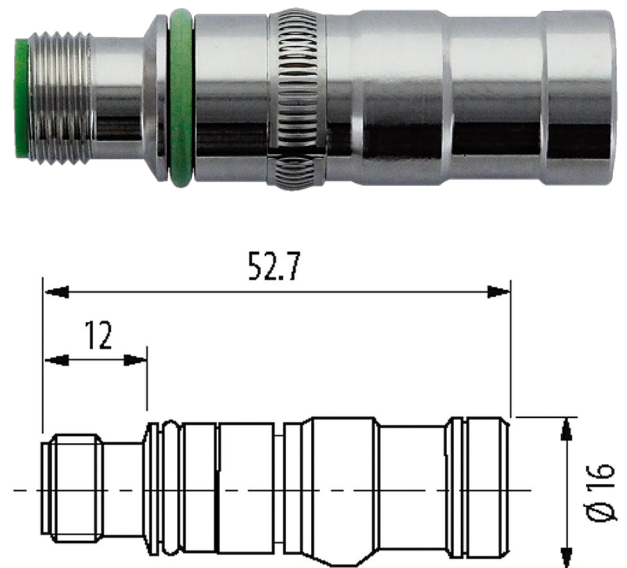


**MODL.VARIO insert for fixed housing type B**

6-pole M12, male, shielded

Insert - stationary housing  
 Male straight – female straight  
 M12, 6-pole  
 A-coded

[Link to Product](#)**Illustration**

Product may differ from Image

**Form**

Form 46114

**General data**

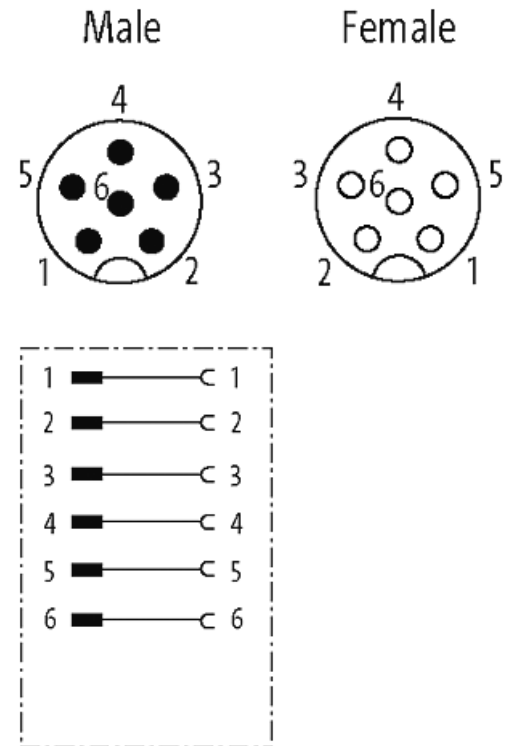
Material (gasket)	FKM
Pollution Degree	3
Temperature range	-25...+85 °C

**Technical Data**

Operating voltage	max. 30 V AC/DC
Rated surge voltage	0.8 kV
Operating current per contact	max. 4 A
No. of poles	6
Material group	IEC 60664-1, category I
Coding	A-coded
LED display	no
Locking of ports	Screw thread (M12×1 mm) recommended torque 0.6 Nm, self-securing
Compression gland	M12
Protection	IP65 and IP67 when plugged and screwed down (EN 60529)
Material	Brass, nickel plated
suitable for corrugated tube (internal Ø)	without

**Commercial data**

country of origin	DE
customs tariff number	85366990
EAN	4048879576512
eClass	27260702
Packaging unit	1

**Sketch**

Product may differ from Image